

**GE-FLOW CV SERIES CHECK VALVE - FORGED STEEL (ANSI 150-800)**

**DESIGN DESCRIPTION:**

- BOLTED COVER
- LIFT TYPE

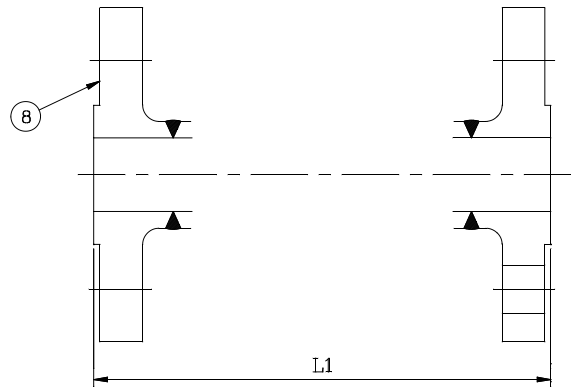
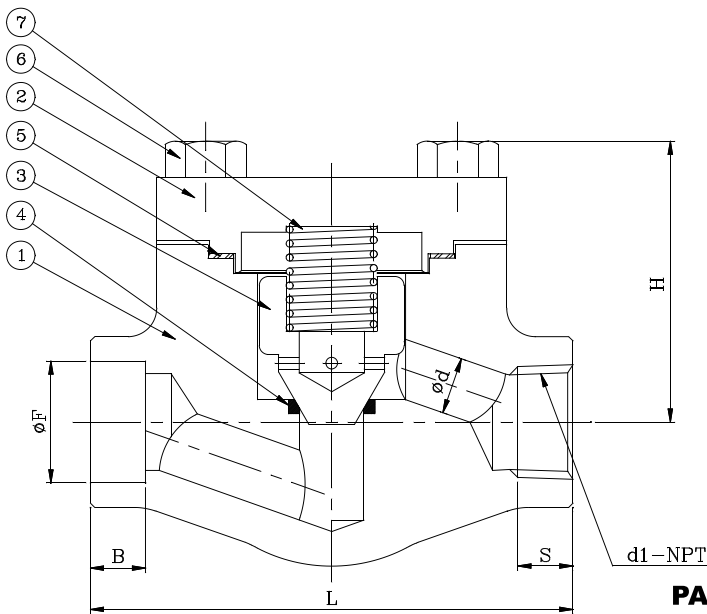
**APPLICABLE STANDARDS:**

- DESIGN PER API 602
- SOCKET WELD AND THREADED END  
PER ANSI B16.11
- PIPE THREADS PER ANSI B1.20.1
- FLANGED END PER ANSI B16.5
- INSPECTON AND TEST PER API 598

**SOCKET WELD ENDS**

**SCREWED ENDS**

**FLANGED ENDS**



Flanged Ends

**PARTS AND MATERIAL (ASTM)**

NO.	PARTS NAME	MATERIALS		
		A105	A182-F304	A182-F316
1	Body	A105	A182-F304	A182-F316
2	Cover	A105	A182-F304	A182-F316
3	Disc	A276-410	A276-304	A276-316
4	Seat	A276-410+H/F STL#6	A276-304+H/F STL#6	A276-316+H/F STL#6
5	Gasket	Grafoil + 304 Spiralwound	Grafoil + 304 Spiralwound	Grafoil + 316 Spiralwound
6	Cover Bolt	A193-B7	A193-B8	A193-B8
7	Spring	SUS 304	SUS 304	SUS 316
8	Flange	A105	A182-F304	A182-F316

OTHER MATERIALS ARE AVAILABLE UPON REQUEST.

**TEST PRESSURE TO API 598**

PSIG

CLASS	SHELL TEST (water)	SEAT TEST (water)	SEAT TEST (air)
150	450 ( 32 kg/cm <sup>2</sup> )	314 ( 22 kg/cm <sup>2</sup> )	80 ( 6 kg/cm <sup>2</sup> )
300	1125 ( 79 kg/cm <sup>2</sup> )	814 ( 57 kg/cm <sup>2</sup> )	80 ( 6 kg/cm <sup>2</sup> )
600	2225 ( 156 kg/cm <sup>2</sup> )	1628 ( 114 kg/cm <sup>2</sup> )	80 ( 6 kg/cm <sup>2</sup> )
800	3000 ( 210 kg/cm <sup>2</sup> )	2200 ( 154 kg/cm <sup>2</sup> )	80 ( 6 kg/cm <sup>2</sup> )

**DIMENSION TABLE:**

DN	NPS	Ø d	L	L1			H	SOCKET WELD		SCREWED		WT.(Kg) SW / NPT
				150#	300#	600#		Ø F	B	d1	S	
15	1/2	10	79	108	152	165	48	22	10	1/2" NPT	13.5	1.3
20	3/4	14	92	118	178	191	48	27	13	3/4" NPT	14.0	1.6
25	1	18	111	127	203	216	63	34	13	1" NPT	17.5	2.9
40	1 1/2	28	152	165	229	241	85	49	13	1 1/2" NPT	18.5	6
50	2	34	172	203	267	292	104	61	16	2" NPT	19.0	9.7